

Part number

# CKAT 03.4 V



## Brief description:

hoods for single lever, size "21.21", top entry, 1/2" NPT, metal version, IP44, IP66/IP67 degree of protection with CKR 65 kit or CKR 65 D kit.

### Product description

Version	Metallic type
Series	Hoods with 2 pegs
Product type	with 2 pegs
Variant	top entry
Family	CKA metal enclosures
Size	size "21.21"


### Technical data

Operating temperature range (min, max)	-40°C ... +125°C
Material	metal
IP degree of protection	IP44 (IP66/IP67 with CKR 65/CKR 65 D kits)
Cable entry	1/2" NPT

### Further technical details

Weight	23,00 g
--------	---------

### Approvals / Standards

Quality mark	type: 12, (type 4/4X only with kit CKR 65 or CKR 65 D),  , EAC
Conformity	CQC, CE

### General ordering information

EAN13 code	8015747027373
Tariff number	85369095

### Packaging Information

Packaging length	330,00 mm
Packaging height	170,00 mm
Packaging width	230,00 mm
Packaging weight	2,30 kg
Packaging volume	12,90 dm <sup>3</sup>
Packaging description	Carton box
Packaging quantity	100 Pcs
Packaging EAN code	8015747234290
Sub-packaging length	105,00 mm
Sub-packaging height	70,00 mm
Sub-packaging width	110,00 mm
Sub-packaging weight	0,23 kg
Sub-packaging volume	0,81 dm <sup>3</sup>
Sub-packaging description	Carton Box
Sub-packaging quantity	10 Pcs
Sub-packaging EAN barcode	8015747027380

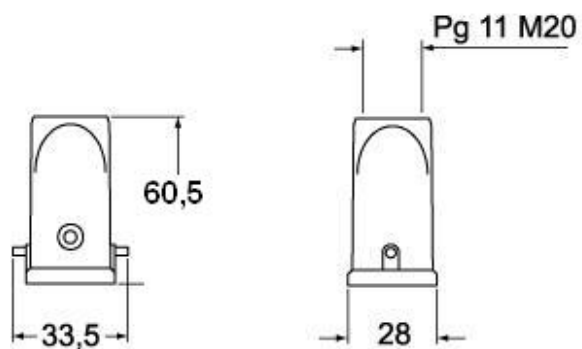
Part number

**CKAT 03.4 V**

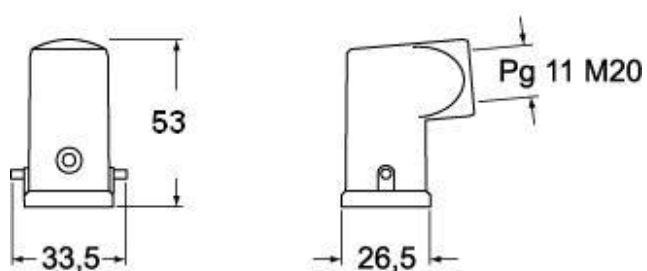


# Catalogue drawings

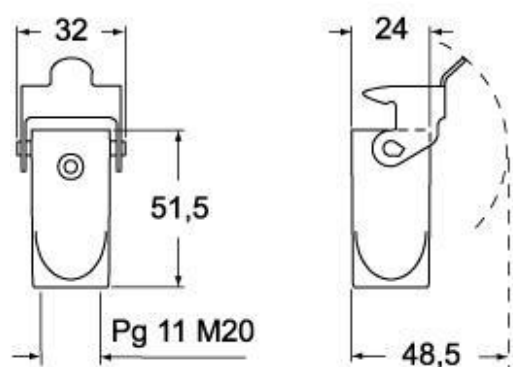
## CKA VS - MKA V



## CKA VAS - MKA VA



## CKA VAS - MKA VA



## CKAX VGS - MKAX VG

